

Procedural Revision

7

Year 8

Q1 Number Facts

Add 1.05 to 9

Q2 Number Facts

£1 = 6.6 Danish kroner,

so £5 = ?

Q3 Number Facts

Work out:

$$3.6 \div 3$$

Q4 Fractions, Decimals & Percentages

What percentage of 400 is 20?

Q5 Fractions, Decimals & Percentages

Write:

$\frac{56}{80}$ as simply as possible

Q6 Fractions, Decimals & Percentages

Write:

$\frac{2}{3}$ as a decimal

Q7 Fractions, Decimals & Percentages

Joe is a gardener.

His hourly rate was £6

He increased his hourly rate by 10%

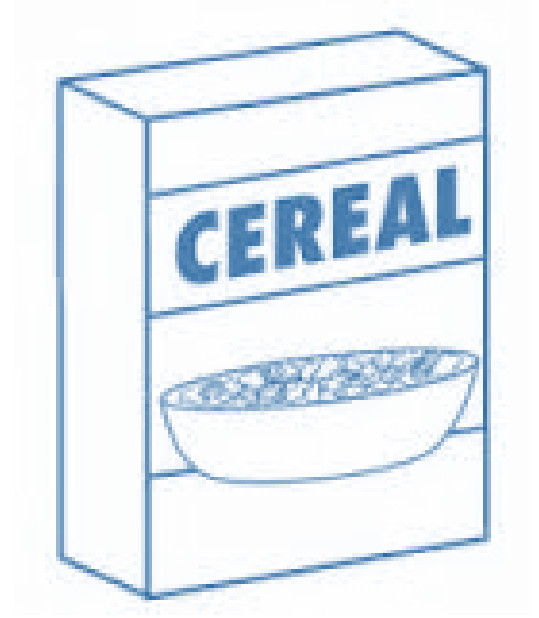
Then he increased it by 10% again.

What is his hourly rate after that?

Q8 Ratio & Proportion

Cereal is 50p per 100g

What does 450g cost?



Q9 Mental & Written Methods

Alys thinks of a number

$\frac{1}{10}$ of her number is 14

What is $\frac{1}{5}$ of her number?

Q10 Mental & Written Methods

$$10 \times 0.25 - 6 \times 0.25$$

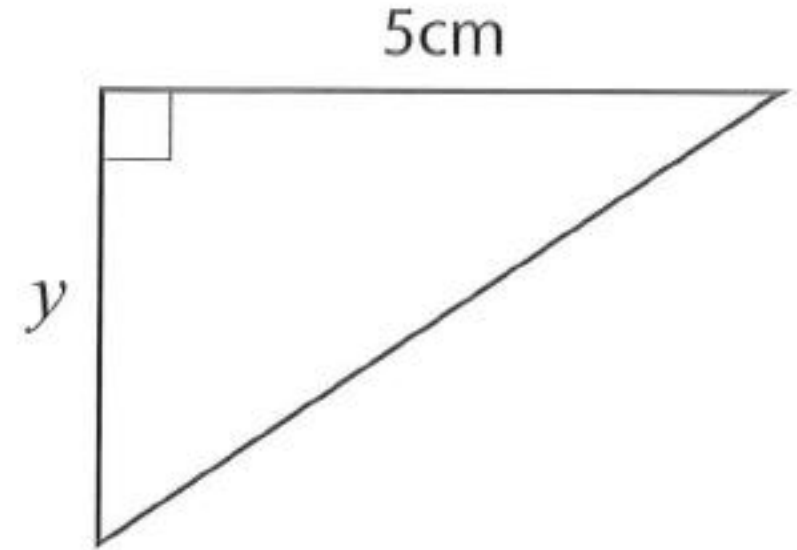
Q11 Money & Estimation

A mobile phone costs £8.99 for the first **six** months, then £14.49 for each month after that.

Estimate to the nearest £10, the total cost of a mobile phone for the first year.

Q12 Length, Weight, Capacity

The area of this triangle is 20cm^2



What is length y ?

cm

Q13 Time

Flight from Cardiff

departs 09:25 (UK time)

to Barbados

arrives 13:55 (Barbados time)

Barbados is 4 hours **behind** the time in the UK.

How long is the flight?

hours and

minutes

Q14 Length, Weight, Capacity

$$10 \frac{1}{5} \text{ km} = \underline{\hspace{2cm}} \text{ cm}$$

Q15 Length, Weight & Capacity

A jug can hold 10 litres

How many millilitres is this?

Q16 Estimate & Check

Round to **one significant figure** 4537

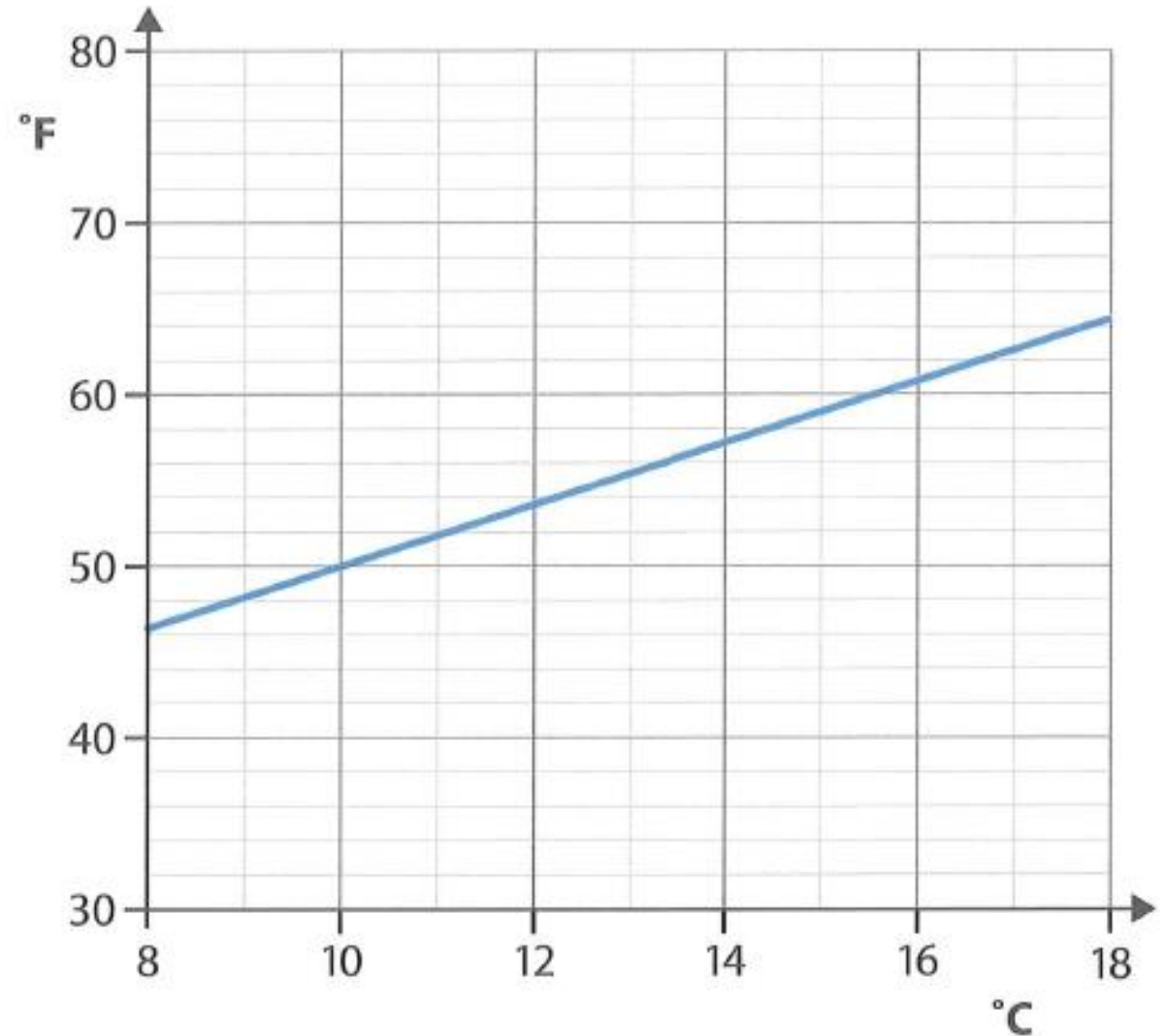
Q17 Temperature

The weather in Wales:

The mean temperature on one day was **15 °C**, with a range of **10 °C**.

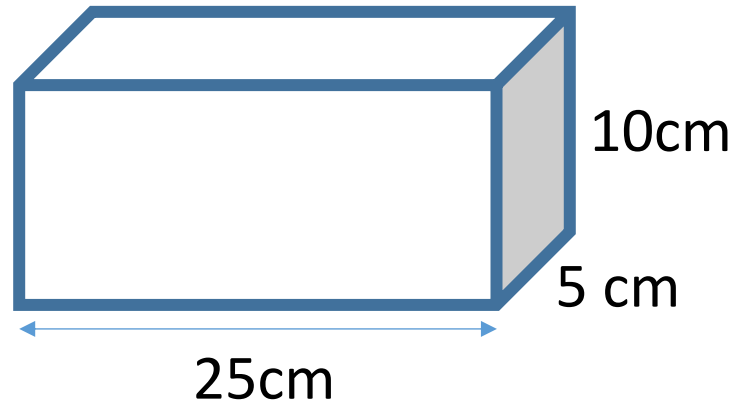
The mean temperature on one day was **? °F**, with a range of **? °F**.

Changing between °C and °F



Q18 Area & Volume

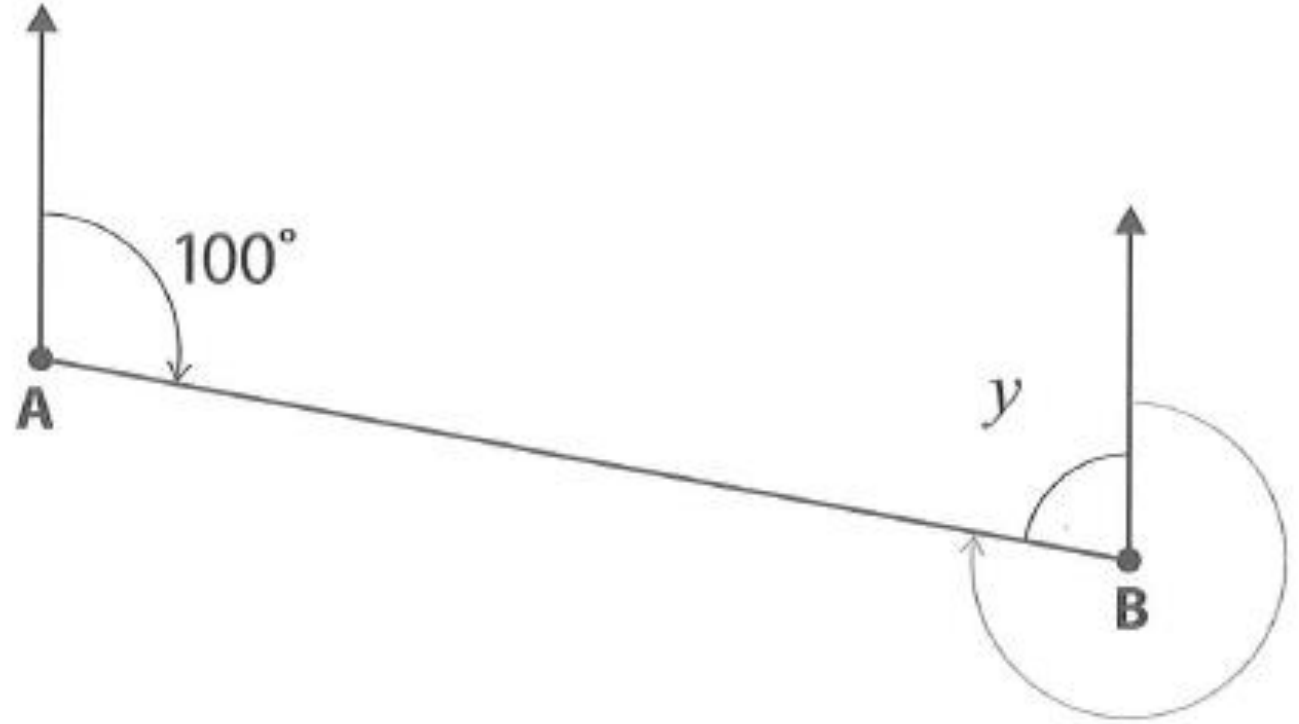
Find the **volume** of this cuboid.



Q19 Angle & Position

The bearing of B from A is 100°

What is the value of the angle y ?



The bearing of B from A is 100°

Q20 Interpret Results

What is the total number of children in these families?

Children in each family	Frequency
1	5
2	11
3	8
4	3
5	1